

BRUSHLESS POWER TORQUE DC-TYPE AUTOMATIC TRIGGER AND PUSH START CLUTCH TYPE SERIES



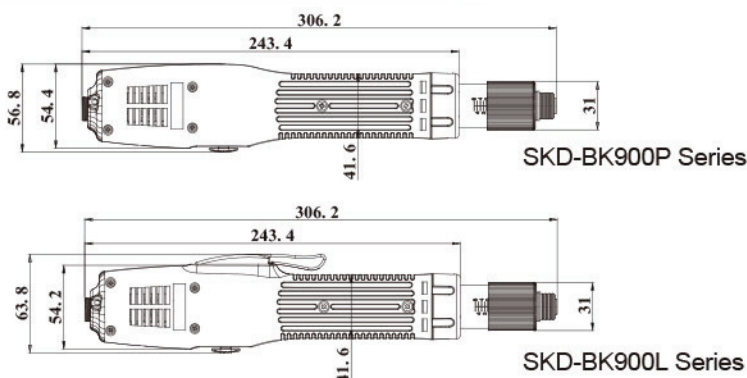
SKD-BK900 / SKD-BNK900 (Apply for torque display series)



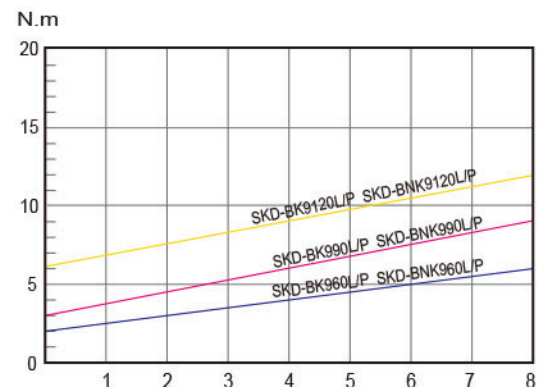
Features

- Whole series use brushless motor, no carbon pollution, and low noise motor operation. It is the best fit for assembling power torque products.
- Assemble large-sized LED/LCD panel and home appliances. Tools can be hung with spring balancer to lessen work fatigue.
- SKD-BK900 series torque range can reach up to 2-12 N.m ; SKD-BK900 series torque range can replace pneumatic screwdriver to avoid unstable torque due to the fluctuation of the air pressure. Also can prevent oil and noise pollution and achieve energy saving and more Eco-friendly.
- SKD-BK900 series can be equipped with side handle, or Auxiliary Arm, to increase the torque stability and accuracy
- Suitable for assembling large-scale work pieces in semi-automatic or full automatic assembly line. In particular, the most suitable for applications such as automotive industrial parts assembly, air conditioning, electricity, telecommunications, large appliances and medical equipment assembly.
- Highly mobility, easy to operate, stable torque, high efficiency. Motor can be free from fatigue under long-working hours.

External Dimension



Torque Range Reference Chart



Specifications

Model	SKD-BK960L/P SKD-BNK960L/P	SKD-BK960LF/PF	SKD-BK990L/P SKD-BNK990L/P	SKD-BK9120L/P SKD-BNK9120L/P
Input Voltage	DC40V			
Power Consumption	150W	150W	150W	150W
Torque(N.m)	2~6	2~6	3~9	6~12
Repeatable Torque Accuracy(%)	±5%			
Torque Adjustment	Stepless			
Free Speed (r.p.m)	HI	1000	2000	1000
	LO	-	-	-
Screw Size Dia (mm)	Machine Screw	4.0~5.0	4.0~5.0	≤6
	Tapping Screw	≤4	≤4	≤5
Weight(kg)	1.03			
Length(mm)	306			
ESD(Anti-Static)	✓ (black housing)			
CE	✓			
RoHS	✓			
Auxiliary Arm	✓			
Handle Grip	✓			
Power Controller	SKP-40B-HL-800(N)			
Bit Type				

Accessories

