



Upper heater reflectors for **rework station** (RE-7500)

Introduction

IR ceramic heaters transfer heat by emitting - Transfer Heat by Radiation - the IR waves to generate uniform heating affect to a specified spot in specified time.

Reflectors are designed to control the heating image emitted from the upper heater by allow the IR wave to travel in straight lines through specified window space and to reflect the extra wave and effect away from the spotted area.

The reflectors function as a nozzle for more spotting and directed to a defined target and to prevent any other components (around or in beyond the targeted component) to be affected directly

Product descriptions

Material

Stainless steel polished (Mirror-side) in one side and not polished in the other side.

Reflector type

In three different window sizes ,square shape pattern 20mm x 20mm , 30mm x 30mm and 40mm x 40mm.

Fixture

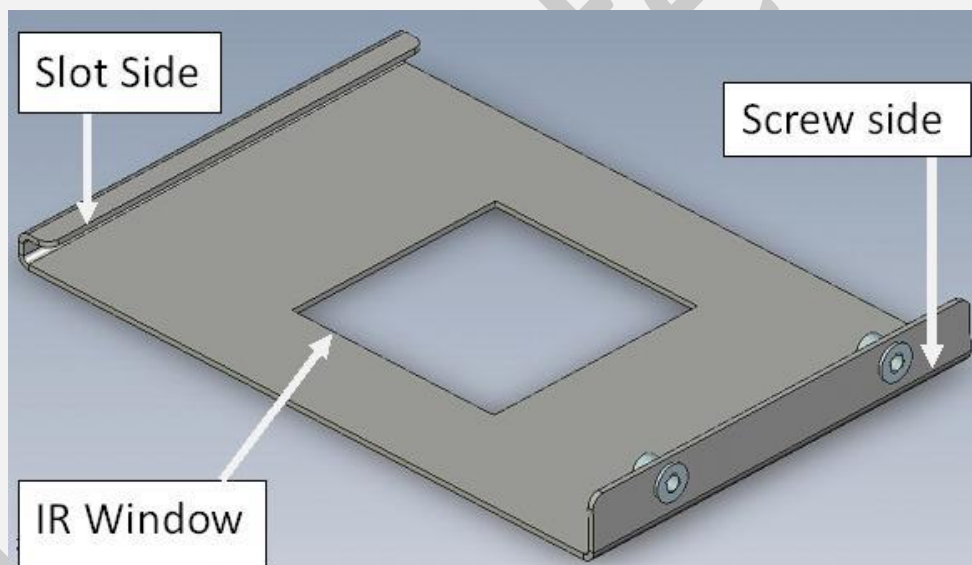
One side (slot side) hang to left side of the upper heater cap and another side (screw side) include two M4 screw size to be tightened to the right side of the upper heater as shown in figure (1).

Focusing

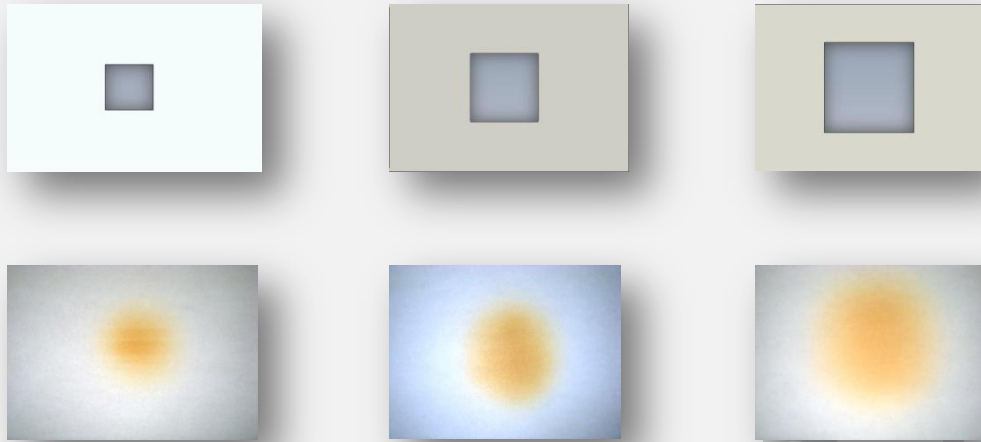
It focuses the IR waves to +20% of the window size for each size toward the targeted spot as shown in figure (2).

Customization

Reflectors could be customized according the customer requirements at any sizes not exceed 50 mm in width and in length and could be in any patterns (circle , rectangle or triangle), or according to the applications.



[Figure- 1]



[Figure- 2]

Installation

As sequent shown in figure (3)

- 1- Fasten the reflector using the slot in upper heater left side.
- 2- Align the window to be exactly up to the middle of the heater.
- 3- Tighten the screw with the slot in the upper heater right side.



[Figure- 3]

Applications

The reflectors are highly recommended to be used during rework process and in the applications according the below table:

Reflector Type	Mobile phone	PC Mother Boards	Laptop Mother Boards	Game console	Small PCB's (≥ 60mm width)	Large PCB's (< 60mm width)
20mm x 20mm	•		•	•	•	
30mm x 30mm	•	•	•	•		•
40mm x 40mm		•	•	•		•

JOWY Systems